

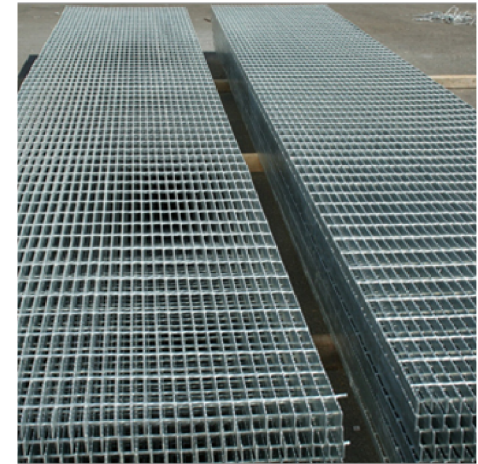
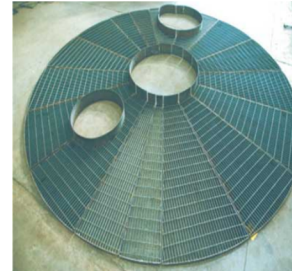
Contact Us

richfieldindia@richfieldindia.com

+91 265 461 3274

www.richfieldindia.com

SF-232, Panorama,
R.C.Dutt Road
Vadodara, India 390 007



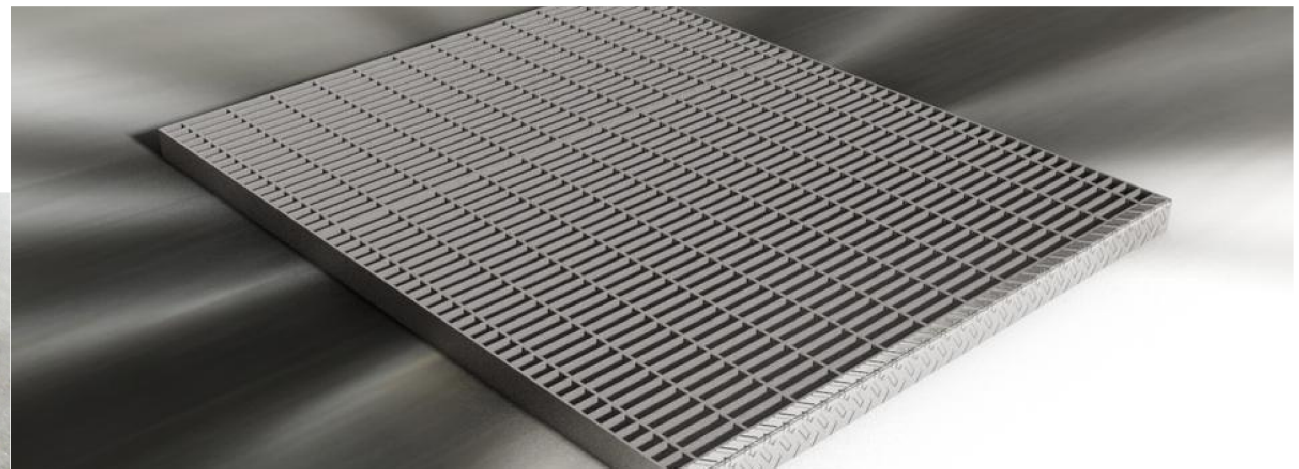
GRATINGS



 **Richfield**
Engineering & Construction

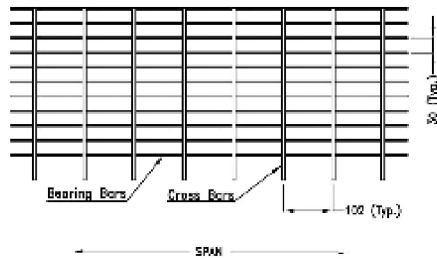
About Us

Richfield is an established and respected fabrication & manufacturing company that offers a one-stop shop for all your grating needs. We accommodate the exact customer requirement with our services of custom fabrication, heavy duty manufacturing, in-house design, quick production cycles & ability to adapt to any material of construction to deliver the perfect quality product.

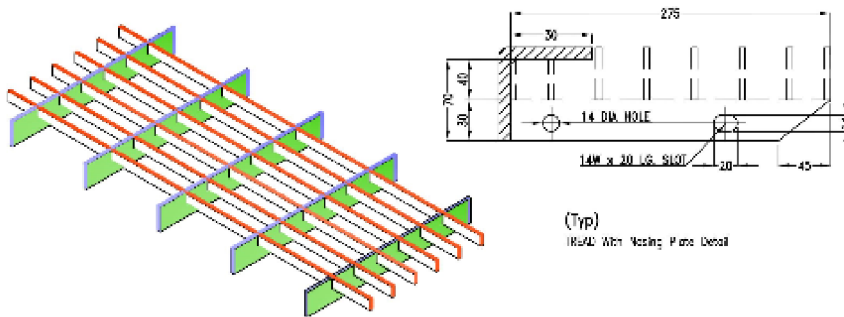


Powerhouse of Engineering
Delivering Excellence

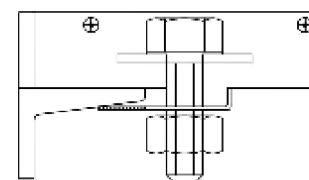
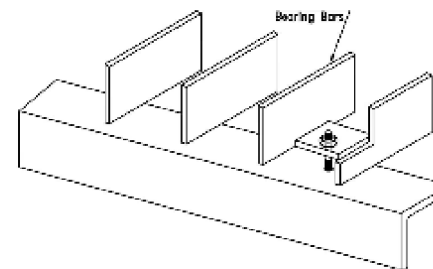
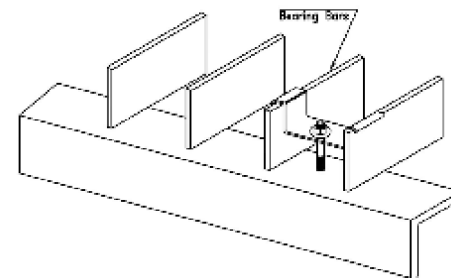
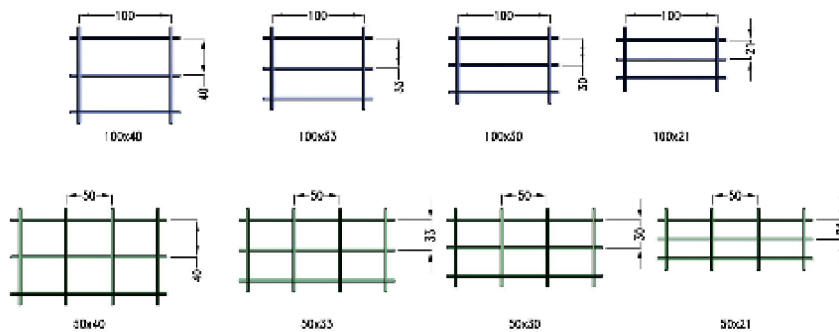
PRESSURE-LOCKED & WELDED GRATINGS



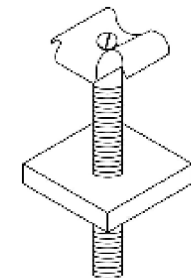
STEEL GRATINGS & TREADS



STANDARD GRATING PATTERNS

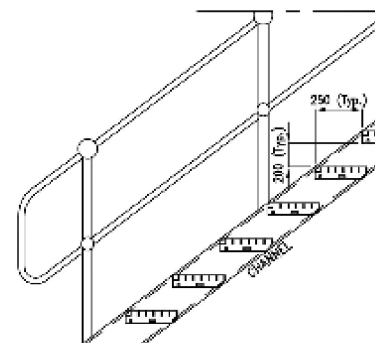


CLAMP
To be used where site welding & drilling is not allowed.

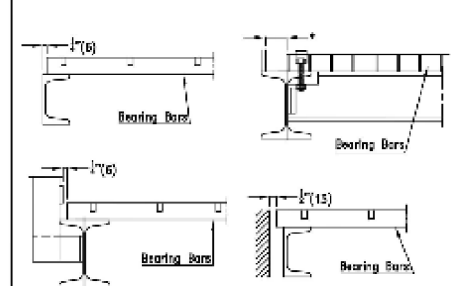


CLAMP
Holes are drilled in the beam to suit 6mm/8mm screws, and the screws to fitted after which the nut can be exercised on from below. Alternatively the hole in the beam can be threaded and the clip fitted from above.

TYPICAL TREAD ARRANGEMENT



TYPICAL FIXING ARRANGEMENT



* This dimension varies due to bearing bar spacing but will not exceed bearing bar spacing.